

SpryStep® Boa® Strap Accessory



Scan for fitting
video!

Instructions for Use

Warnings

Carefully read/use instructions and warnings prior to use. This product is intended for use with the SpryStep OTS range of AFOs and has been designed for single patient use. If the patient experiences any problems, increased pain, swelling, numbing, skin irritations, or any other adverse reaction while using the product, discontinue use immediately and contact their medical professional. The patient should consult with their medical professional before making any adjustments to the strap.

Instructions for Care



Remove strap and
hand wash
30°C with mild
detergent

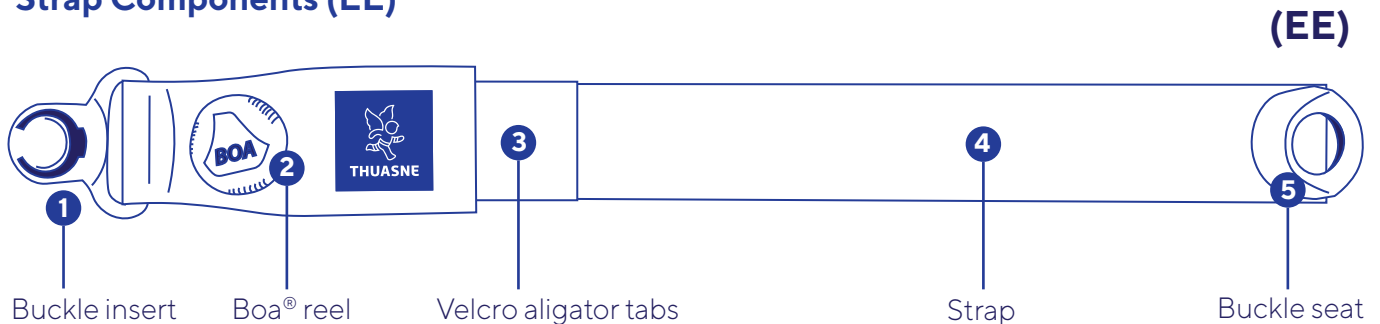


Do not
tumble



Lay strap flat
to dry

Strap Components (EE)

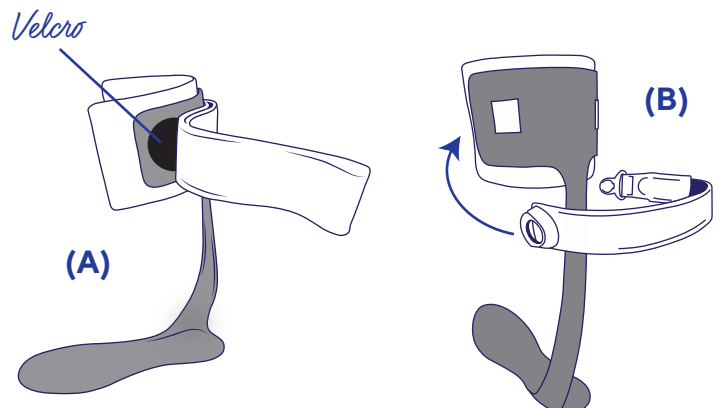


Fitting Instructions

1. Remove original strap and replace with the Boa® Strap

Remove original strap from brace and peel away original Velcro (A).

Position new Velcro strips 2.5 inches from the edges of the calf cuff. Position buckle seat directly over new Velcro strips (B).





THUASNE

2. Fit the strap

Don your brace and shoe and fasten strap using the buckle **(C)**.

Release the Boa® reel by pulling it outward until it clicks **(D)**. Pull the strap to loosen. Press on the Boa® reel until it locks back into place.

Open the Velcro aligator tabs near the buckle insert and remove strap **(E)**. Pull strap around leg until taut, aligning strap end with Boa® reel and Thuasne logo.

NOTE: Shin pad from original SpryStep® strap may be used for comfort. If using, please apply shin pad to strap before trimming to ensure strap length is correct.

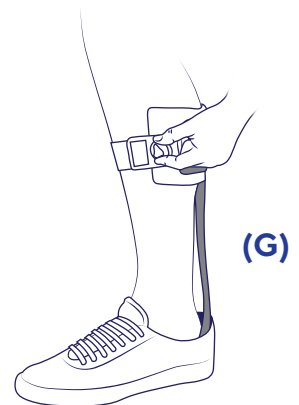
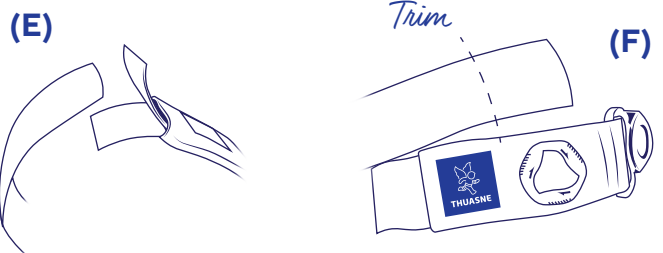
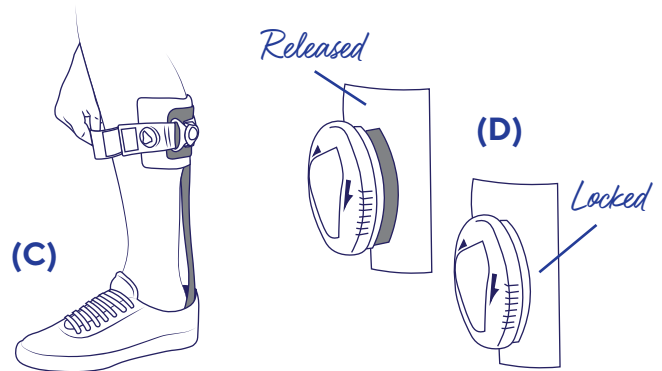
Trim strap to outside edge of logo **(F)**. When in doubt, leave extra length while trimming and adjust strap as needed.

3. Tighten and adjust

Place trimmed strap end back into Velcro aligator tabs **(E)** and fasten buckle. Turn Boa® reel clockwise to tighten strap around calf. Strap should be tight yet comfortable and should not restrict circulation **(G)**.

If strap is too loose when reel is completely wound, remove strap from Velcro aligator tab and trim again.

Strap may be loosened at any time by unfastening buckle, turning Boa® reel counter-clockwise or releasing Boa® reel **(D)**.



Warranty

Limited Warranty Thuasne USA warrants to the original purchaser that this product is free from defects in materials and workmanship. Normal wear and tear during the use of a product is not considered a defect. This Limited Warranty is effective from the date of delivery to the original purchaser for up to 6 months. This warranty does not apply if this product; (1) has been altered in any way; (2) was not purchased from Thuasne USA or one of its authorized distributors; (3) is not used in accordance with Thuasne USA's Instructions for Use (IFU). Under this Limited Warranty Thuasne USA's sole obligation shall be to repair or replace the defective product or associated part(s) at no charge. This Limited Warranty does not cover damage as a result of mishandling, accidents, improper use or alteration of the product. This is in place of all other warranties, either express or implied, including but not limited to warranties of merchantability or fitness for a particular purpose. Thuasne USA shall not be liable under this or any implied warranty for any personal injury, property damage, or special, incidental, or consequential damages arising out of, related, or incidental to the use of the product even if Thuasne USA has been informed of the prospect of such possible loss or damage, unless state law otherwise prohibits this exclusion.